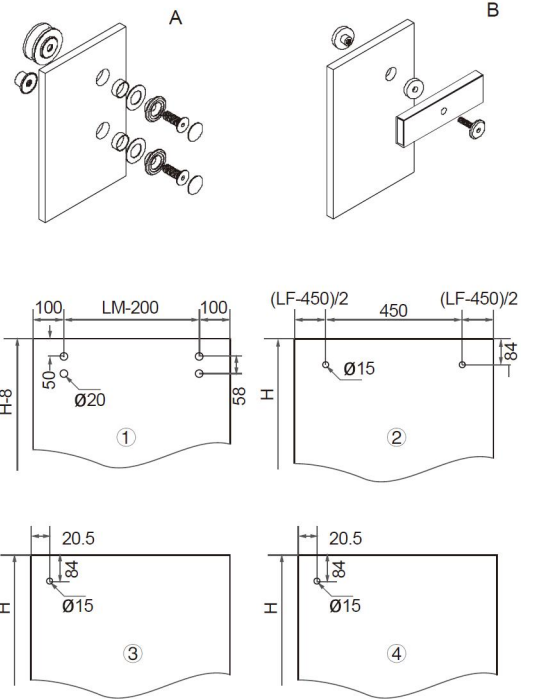
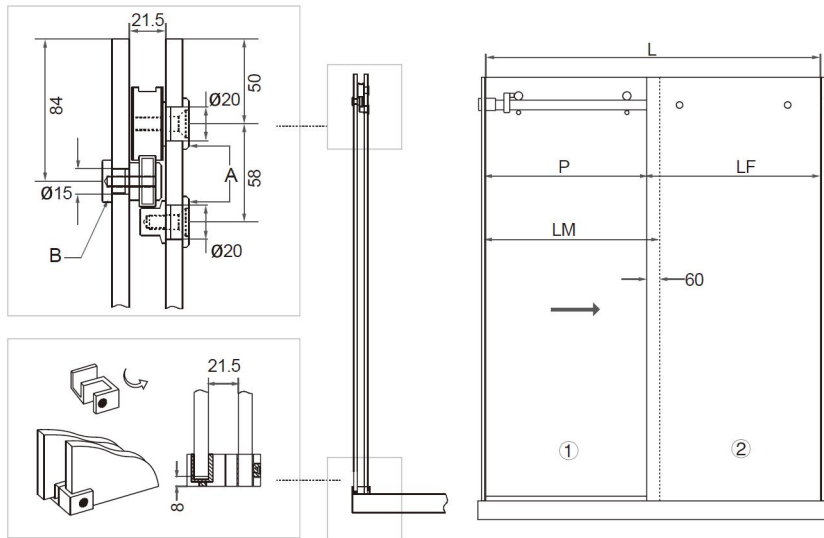
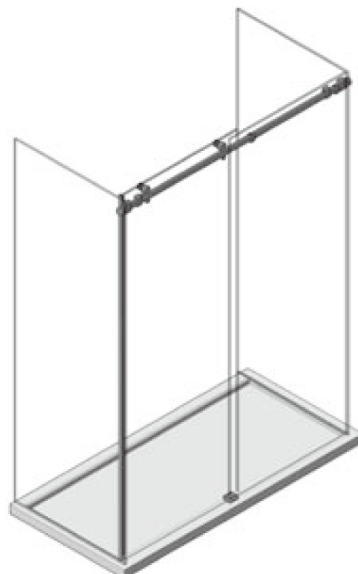


Ø Glass to Glass Fixing 180°



- L = 1200~1650 (mm)
- P = L/2 (mm)
- LM = P+60 (mm)
- LF = L-P (mm)

Suitable for :



F003