

CORE PRODUCTS

APPLAUSE SHOWER HINGE



BESTKO®

Self-closing device for frameless glass door application.



Model	Hold-open	Loading	Test Standard
TJ012-90°	90°	45kg	EN1154 130,000 cycles EN1670 Grade 3 (96 hours)
TJ012B-90°			
TJ021-180°			
TJ009-135°			



Made of 304 Stainless Steel

Model: TJ012-90°

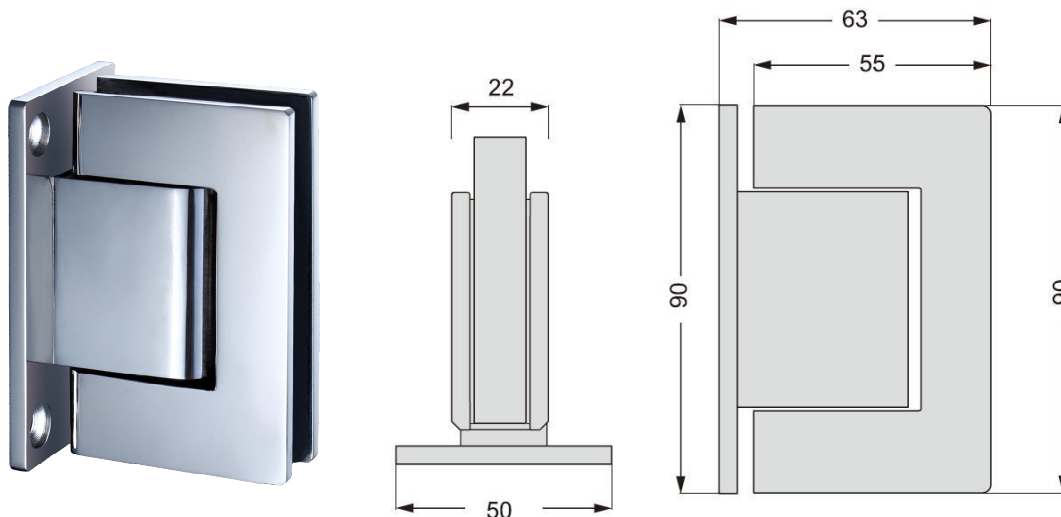


Product **APPLAUSE Shower Hinge (with damping function)**

Material **#304 Stainless Steel**

Finish **Polished**

Country of Origin **People's Republic of China**



Unit : pair

Features

Wall to glass fixing 180°

Suitable for 8-12mm tempered glass use

Maximum door leaf weight: 45kg

Maximum door leaf width: 800mm

Self-closing when door is closed to 85°

Double action, maximum door open angle: 95°

Hold-open at 90°

Valve adjustment available for closing speed control

Self-positioned when door reaches to initial position

Tested according to EN1154 (130,000 cycles)

BESTKO BEST TO YOU

url: www.bestko.com

Model: TJ012B-90°

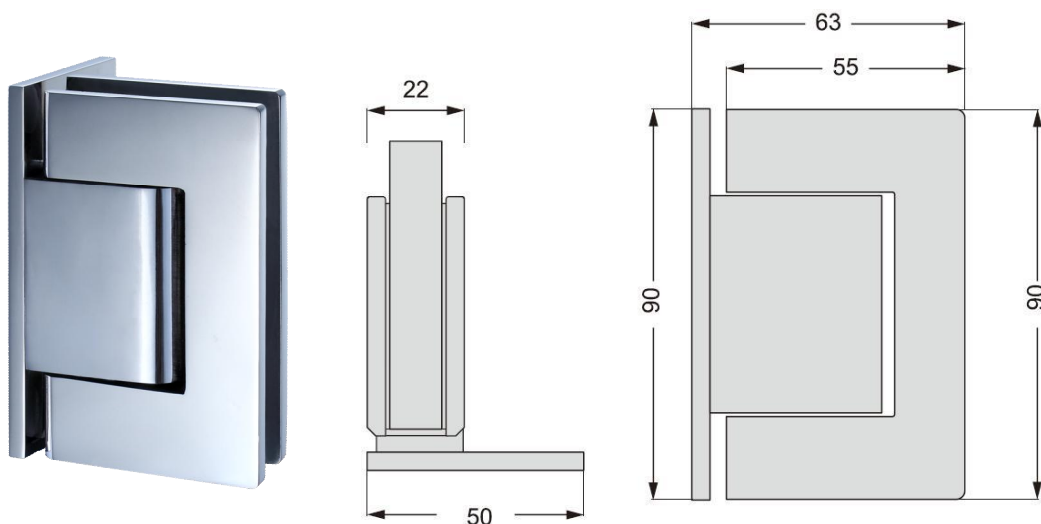


Product **APPLAUSE Shower Hinge (with damping function)**

Material **#304 Stainless Steel**

Finish **Polished**

Country of Origin **People's Republic of China**



Unit : pair

Features

Wall to glass fixing 90°

Suitable for 8-12mm tempered glass use

Maximum door leaf weight: 45kg

Maximum door leaf width: 800mm

Self-closing when door is closed to 85°

Double action, maximum door open angle: 95°

Hold-open at 90°

Valve adjustment available for closing speed control

Self-positioned when door reaches to initial position

Tested according to EN1154 (130,000 cycles)

BESTKO BEST TO YOU

url: www.bestko.com

Model: TJ021-180°

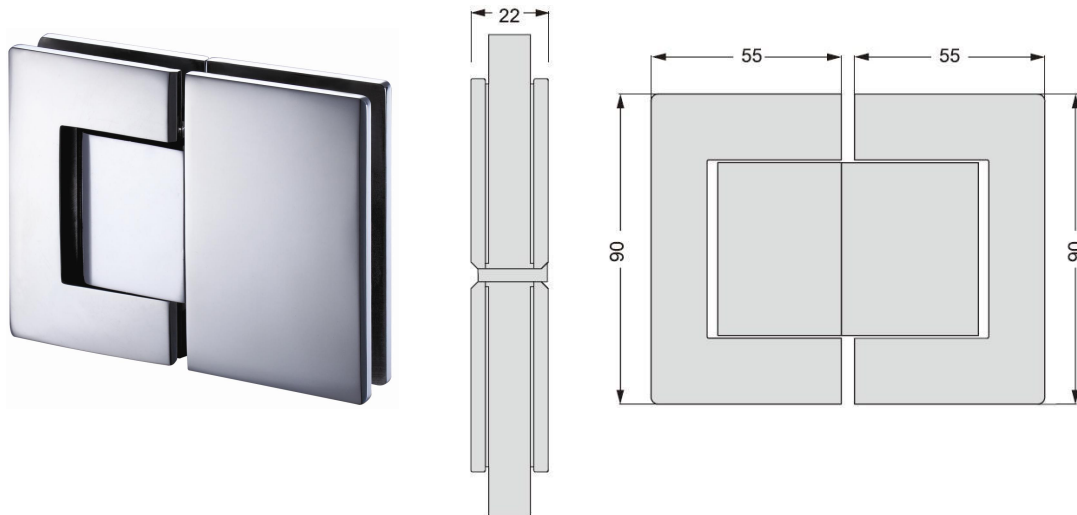


Product **APPLAUSE Shower Hinge (with damping function)**

Material **#304 Stainless Steel**

Finish **Polished**

Country of Origin **People's Republic of China**



Unit : pair

Features

Glass to glass fixing 180°

Suitable for 8-12mm tempered glass use

Maximum door leaf weight: 45kg

Maximum door leaf width: 800mm

Self-closing when door is closed to 85°

Double action, maximum door open angle: 95°

Hold-open at 90°

Valve adjustment available for closing speed control

Self-positioned when door reaches to initial position

Tested according to EN1154 (130,000 cycles)

BESTKO BEST TO YOU

url: www.bestko.com

Model: TJ009-135°

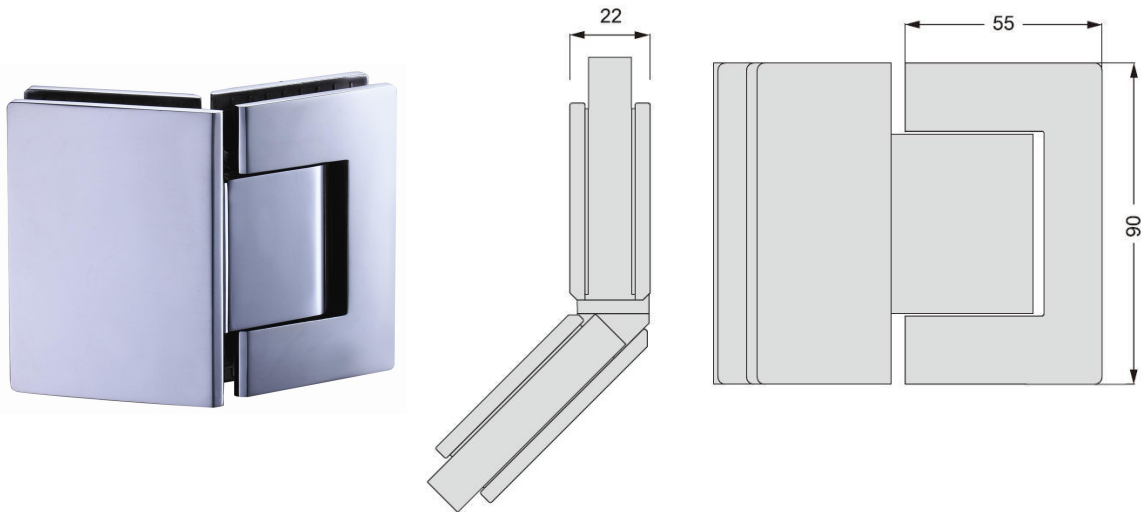


Product **APPLAUSE Shower Hinge (with damping function)**

Material **#304 Stainless Steel**

Finish **Polished**

Country of Origin **People's Republic of China**



Unit : pair

Features

Glass to glass fixing 135°

Suitable for 8-12mm tempered glass use

Maximum door leaf weight: 45kg

Maximum door leaf width: 800mm

Self-closing when door is closed to 85°

Double action, maximum door open angle: 95°

Hold-open at 90°

Valve adjustment available for closing speed control

Self-positioned when door reaches to initial position

Tested according to EN1154 (130,000 cycles)

BESTKO BEST TO YOU

url: www.bestko.com

CORE PRODUCTS

APPLAUSE GLASS HINGE



BESTKO®

Self-closing device for frameless glass door application.



Model	Hold-open	Loading	Test Standard
TJ201.HO	90°	65kg	100,000 cycles
TJ202.HO			
TJ203.HO			
TJ201.NH	N/A	65kg	AS2820 15,000 cycles
TJ202.NH			
TJ203.NH			



Made of 304 Stainless Steel

Model: TJ201.HO

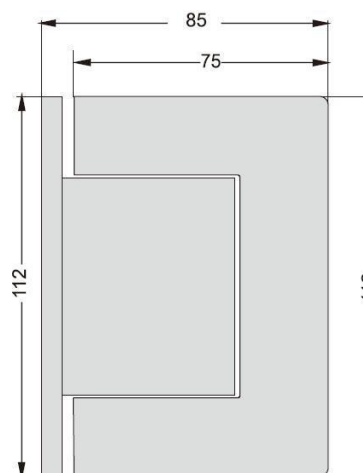
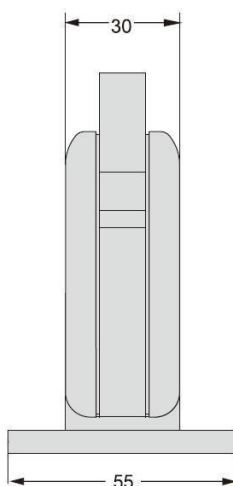


Product **APPLAUSE Glass Hinge (with damping function)**

Material **#304 Stainless Steel**

Finish **Polished**

Country of Origin **People's Republic of China**



Unit : pair

Features

Wall to glass fixing 180°

Suitable for 10-15mm tempered glass use

Maximum door leaf weight: 65kg

Maximum door leaf width: 1000mm

Self-closing when door is closed to 85°

Double action, maximum door open angle: 95°

Hold-open at 90°

Valve adjustment available for closing speed control

Self-positioned when door reaches to initial position

Tested according to EN1154 (100,000 cycles)

BESTKO BEST TO YOU

url: www.bestko.com

Model: TJ202.HO

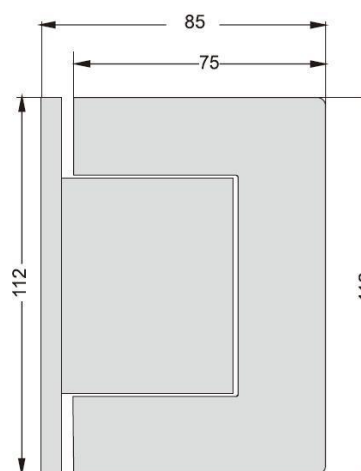
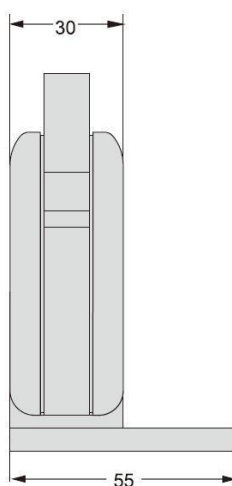


Product **APPLAUSE Glass Hinge (with damping function)**

Material **#304 Stainless Steel**

Finish **Polished**

Country of Origin **People's Republic of China**



Unit : pair

Features

Wall to glass fixing 90°

Suitable for 10-15mm tempered glass use

Maximum door leaf weight: 65kg

Maximum door leaf width: 1000mm

Self-closing when door is closed to 85°

Double action, maximum door open angle: 95°

Hold-open at 90°

Valve adjustment available for closing speed control

Self-positioned when door reaches to initial position

Tested according to EN1154 (100,000 cycles)

BESTKO BEST TO YOU

url: www.bestko.com

Model: TJ203.HO

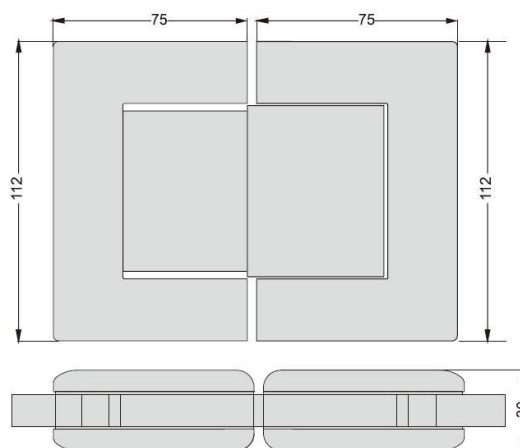


Product **APPLAUSE Glass Hinge (with damping function)**

Material **#304 Stainless Steel**

Finish **Polished**

Country of Origin **People's Republic of China**



Unit : pair

Features

Glass to glass fixing 180°

Suitable for 10-15mm tempered glass use

Maximum door leaf weight: 65kg

Maximum door leaf width: 1000mm

Self-closing when door is closed to 85°

Double action, maximum door open angle: 95°

Hold-open at 90°

Valve adjustment available for closing speed control

Self-positioned when door reaches to initial position

Tested according to EN1154 (100,000 cycles)

BESTKO BEST TO YOU

url: www.bestko.com

Model: TJ201.NH

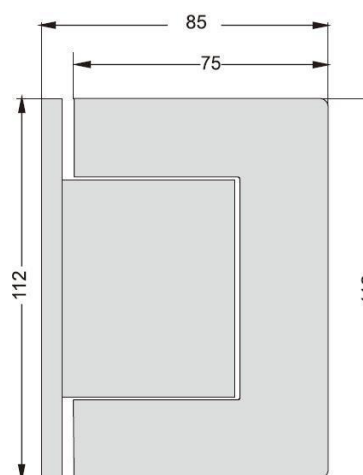
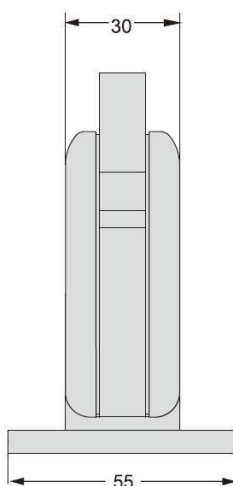


Product **APPLAUSE Glass Hinge (with damping function)**

Material **#304 Stainless Steel**

Finish **Polished**

Country of Origin **People's Republic of China**



Unit : pair

Features

Wall to glass fixing 180°

Suitable for 10-15mm tempered glass use

Maximum door leaf weight: 65kg

Maximum door leaf width: 1000mm

Self-closing at any door open angle

Double action, maximum door open angle: 95°

Non-hold configuration

Valve adjustment available for closing speed control

Self-positioned when door reaches to initial position

Tested according to EN1154 (100,000 cycles)

BESTKO BEST TO YOU

url: www.bestko.com

Model: TJ202.NH

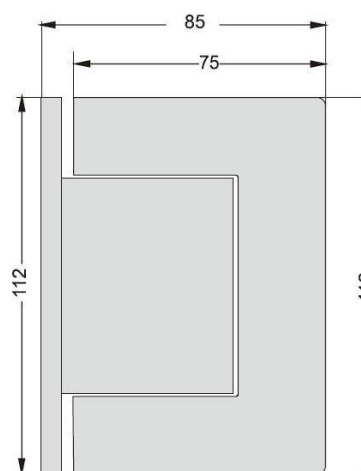
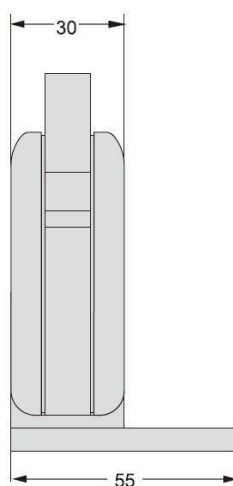


Product **APPLAUSE Glass Hinge (with damping function)**

Material **#304 Stainless Steel**

Finish **Polished**

Country of Origin **People's Republic of China**



Unit : pair

Features

Wall to glass fixing 90°

Suitable for 10-15mm tempered glass use

Maximum door leaf weight: 65kg

Maximum door leaf width: 1000mm

Self-closing at any door open angle

Double action, maximum door open angle: 95°

Non-hold configuration

Valve adjustment available for closing speed control

Self-positioned when door reaches to initial position

Tested according to EN1154 (100,000 cycles)

BESTKO BEST TO YOU

url: www.bestko.com

Model: TJ203.NH

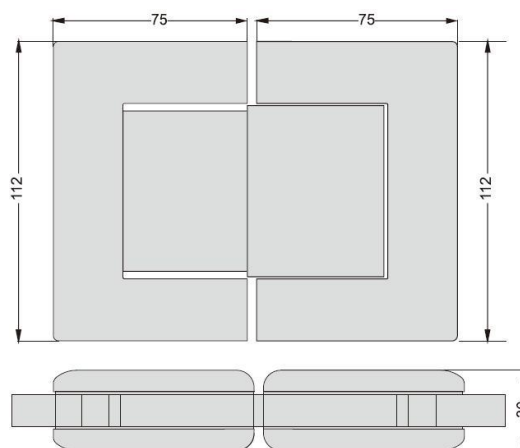


Product **APPLAUSE Glass Hinge (with damping function)**

Material **#304 Stainless Steel**

Finish **Polished**

Country of Origin **People's Republic of China**



Unit : pair

Features

Glass to glass fixing 180°

Suitable for 10-15mm tempered glass use

Maximum door leaf weight: 65kg

Maximum door leaf width: 1000mm

Self-closing at any door open angle

Double action, maximum door open angle: 95°

Non-hold configuration

Valve adjustment available for closing speed control

Self-positioned when door reaches to initial position

Tested according to EN1154 (100,000 cycles)

BESTKO BEST TO YOU

url: www.bestko.com



HONG KONG

A: Unit 520, Metro Centre 2,
21 Lam Hing Street, Kowloon Bay

T: (852) 27578196

F: (852) 27956151

E: info@bestko.com

W: www.bestko.com